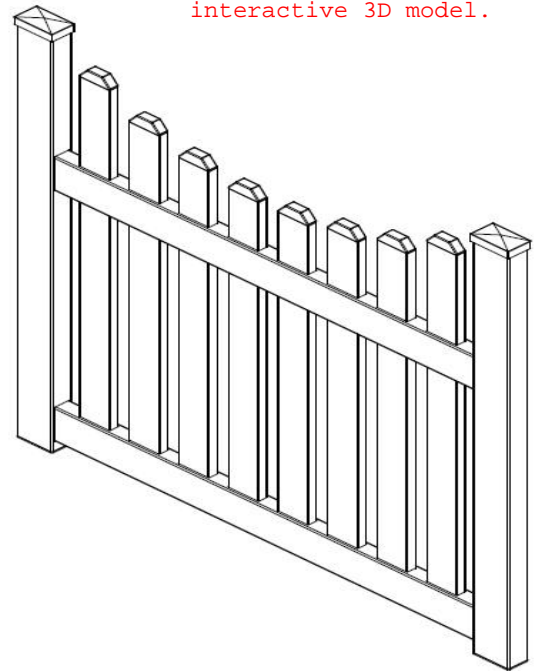
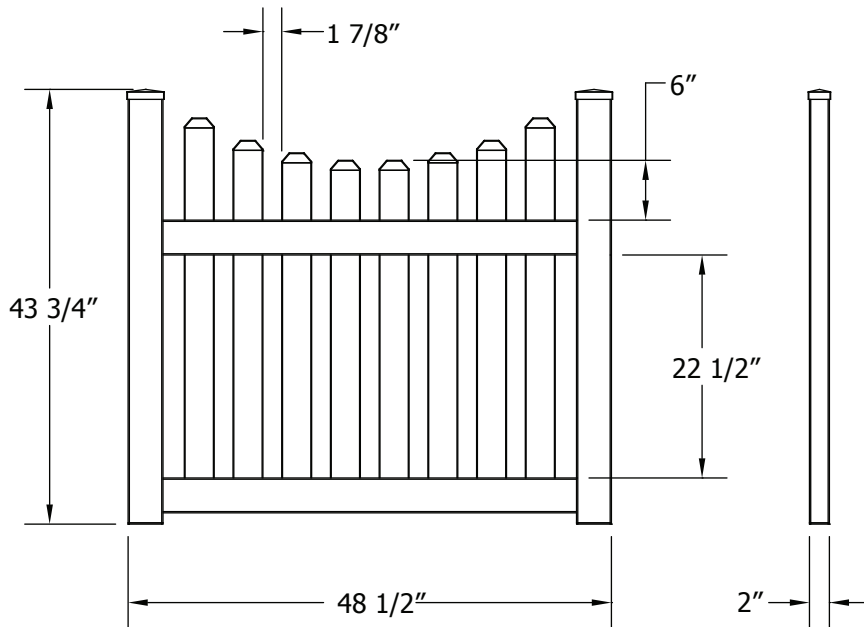


ASSEMBLY INSTRUCTIONS

New England
Arbors

Leadership by Design

Click on the image below to activate the interactive 3D model.



Please read through before starting assembly.

Check Box for These Contents (1 Box)

In the event of missing or defective parts please call our customer service dept. at **1 800 282 9346, ext #20** (Mon. to Fri. 8:00 AM to 4:00 PM EST).

1. Posts (2) 2" x 3 1/2" x 43"
2. Top Rail (1) 1 1/2" x 3 1/2" x 48 1/4"
3. Bottom Rail (1) 1 1/2" x 3 1/2" x 48 1/4"
4. Pickets (2) 7/8" x 3" x 38 1/2"
Pickets (2) 7/8" x 3" x 36 1/4"
Pickets (2) 7/8" x 3" x 35"
Pickets (2) 7/8" x 3" x 34 1/4"
5. Steel Hinge Set (1)
6. Steel Latch Gate Set (1)
Hardware Kit (Includes):
7. Self-tapping stainless Screws (16) 5/8"

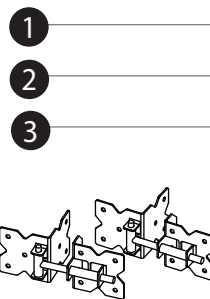
(* Gate will fit:

Nantucket Legacy, Nantucket Deluxe, Fairfield Deluxe,
Fairfield, Westchester, Newport.

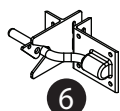
(* If gate is to be installed on a Yorkshire arbor, the top
and bottom rails will need to be trimmed by 1/2" (1/4" off
each end)

Post cap comes
installed

Picket cap comes
installed



5
Not to Scale



6
Not to Scale



7
Not to Scale

Tools You Will Need

- Cordless Drill with #2 Phillips bit and 1/8" drill bit.
- 3/8" Socket Wrench
- Phillip Screwdriver
- 11/16" Or adjustable wrench
- Tape measure and pencil
- Square
- Level

General Information

- Read Instructions through carefully before beginning assembly.
- When handling components, place on a non-abrasive surface (i.e. Shipping box) to avoid scratching.
- We recommend an area approx 5' x 5' for unobstructed handling.

Cottage Picket Gate Installation

STEP ONE

A

Lay out one of the posts on its side, with holes facing up, and insert the two rails. The bottom rail (holes routed one side only) goes into the hole that is closest to the end of the post. Now insert the top rail into the other hole.

B

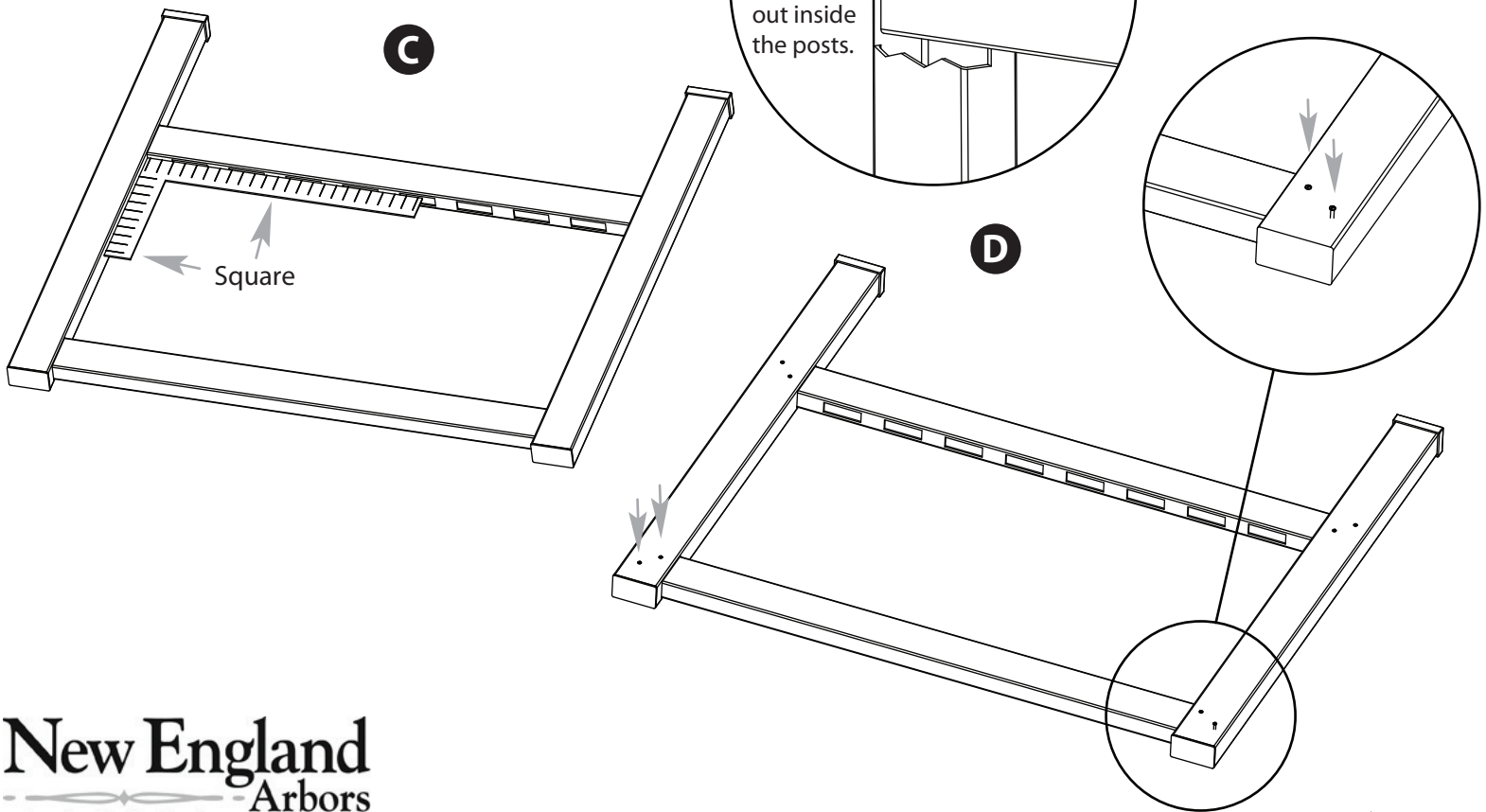
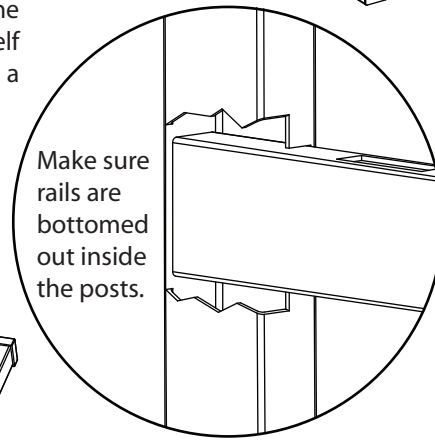
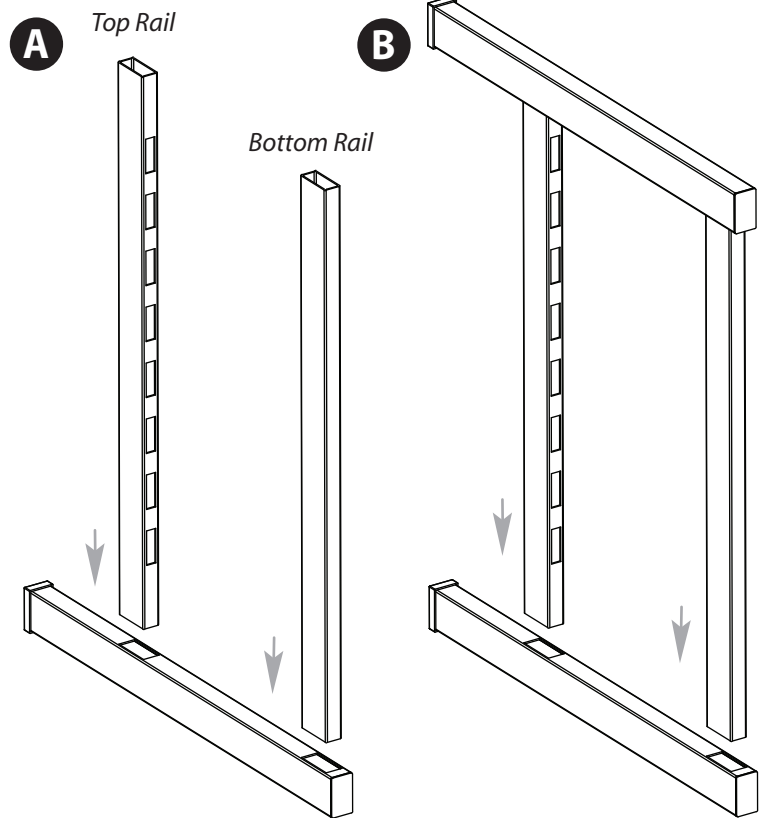
Hold the rails into the post and now insert the rails into the other post

C

Lay the assembly down on a flat surface and use a square to check the inside corners. Make sure that each rail is bottomed out inside the posts. **Note:** If you have purchased the Yorkshire Arbor, you will need to trim 1/4" off of the end of each of the rails in order to make the gate smaller to fit the narrower opening.

D

Install 2 screws into each of the four places where the rail goes into the post. Install screws on diagonal (as shown). **Note:** Screws are self tapping but if you have any difficulty getting them started, pre-drill a small pilot hole first (no larger than 1/16")



STEP TWO

Hinges and Latch Installation

Now determine which way your gate is going to open in your arbor. This will help you determine which side of the gate to install the hinge on. After you have determined which edge of the gate post the hinges are going to be installed on, turn the gate so that the screws you installed in D on the previous page are facing down. This way these screws will not be in the way when putting on the hinge.

A

Separate the hinges (part 5) into two halves. Place the half with the "eye holes" onto the gate post, centering it at the end of the top rail as illustrated. Pre-drill each pilot hole, then attach the hinge with the black screws provided in the hinge kit.

B

As in the previous step, place one half of the hinge onto the gate post. The second hinge should be installed 16 1/2" down from the top hinge (see illustration B). This hinge will be installed above where the bottom rail goes into the gate post. Attach with screws provided in hinge kit.

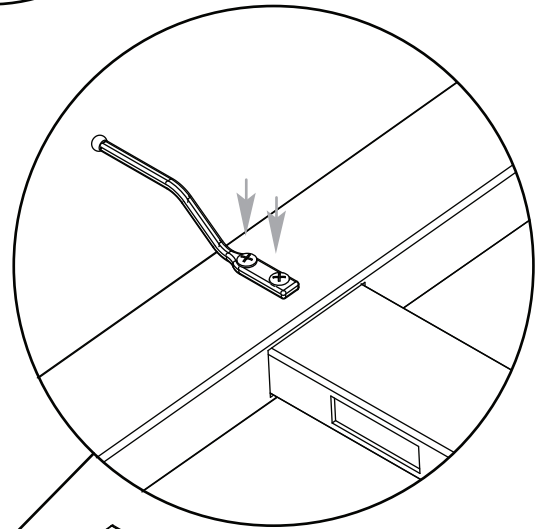
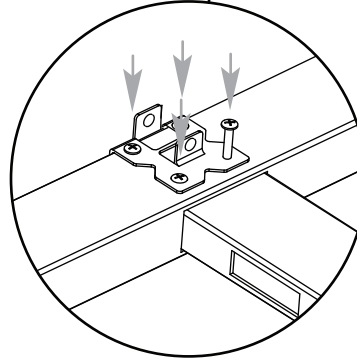
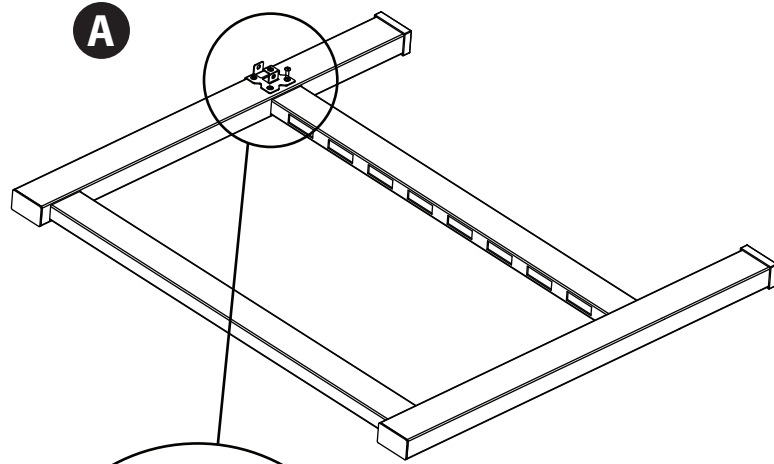
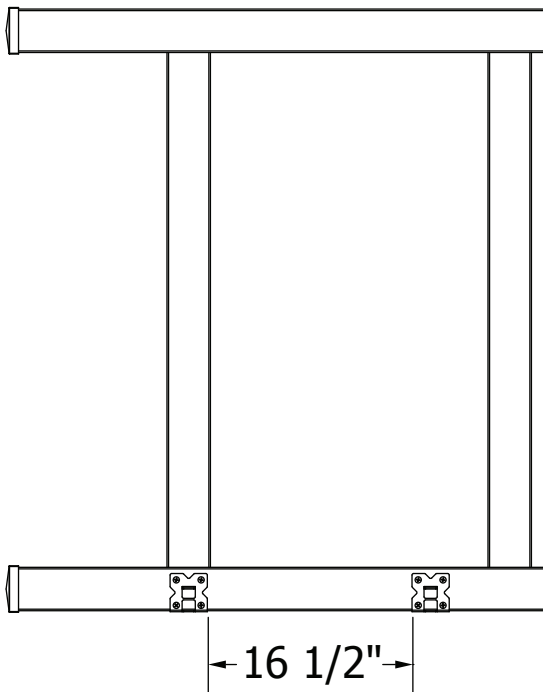
C

Center the gate latch (part 6) at the end of the top rail opposite where the hinge was attached. Install as close to the outside of the post as possible. Fasten the latch to the post using the screws from the latch kit.

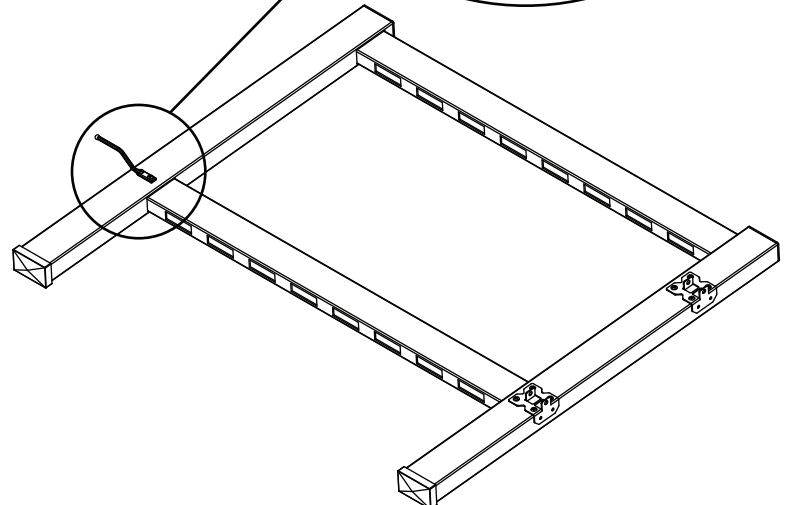
D

Install screws to attach where the rail goes into the post (as in page 2 - D) note: you will not need to install white screw into gate on top rail where the hinge is attached.

B



C



Cottage Picket Gate Installation

STEP THREE

A

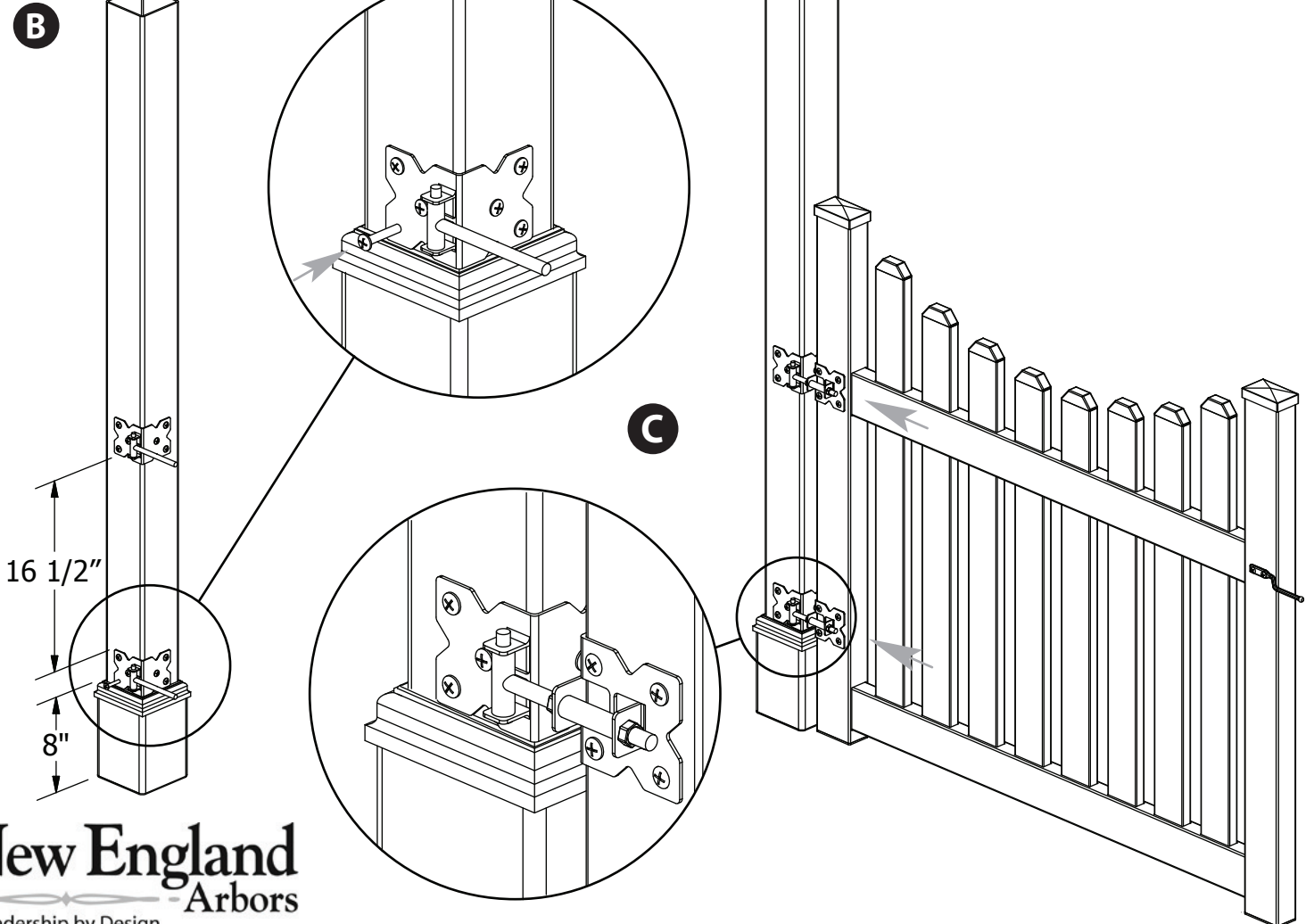
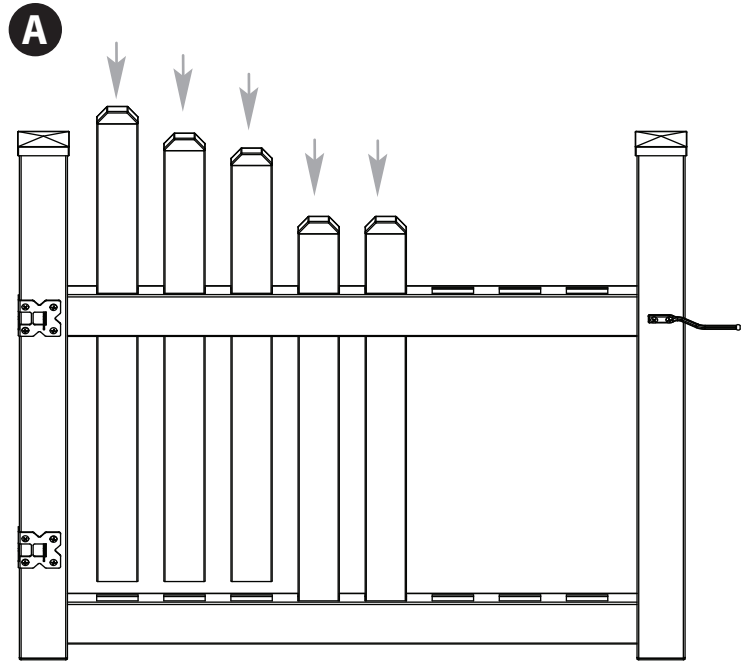
Slip each picket (part 4) through the top rail and into the bottom rail. Start with the shortest picket(s) in the center, and end with the two longest pickets on each side.

B

Place one of the remaining halves of the hinge against the inside wall of the arbor post just above the base molding. Using the same method in step 2, attach the hinge to the post. If your arbor does not have base moldings, mount the hinge approximately 8" up from the bottom of the post. Note: We recommend using wood inside the arbor post to create a stronger attachment for the gate. Repeat for the other hinge. Make sure the distance between the two hinges is equal to that in step 2 (16 1/2").

C

Lift the completed gate and line up the hinges. Carefully guide the long bolts on the gate hinges through the "eye holes" on the gate hinges.



STEP FOUR

Adjusting Gate

A

Insert the bolt sleeve between the "eye holes" before sliding the long bolts completely through. Thread the 1/2" nuts over the end of each bolt and tighten with a wrench. Note: to center your gate in the arbor opening, adjust the hinge nuts as needed.

B

Set a level across the top rail to make sure the gate is hanging level. You may need to adjust the hinge nuts again to achieve this.

C

Once the gate is level, position the latch "catch" onto the arbor post and mark out the hole locations. Pre-drill the holes (use 1/8" drill bit - purchased separately) and fasten the latch catch to the arbor post using the black screws provided with the latch kit.

D

If latch does not catch into the latch catch properly, you can adjust the hinges by loosening the nuts on either side of the hinge bolt. Close the gate so that the latch is in the latch catch then adjust the nuts as necessary to have the gate hang in position properly. If any other adjustments are needed, repeat as necessary. Gate should swing and close into latch smoothly.

